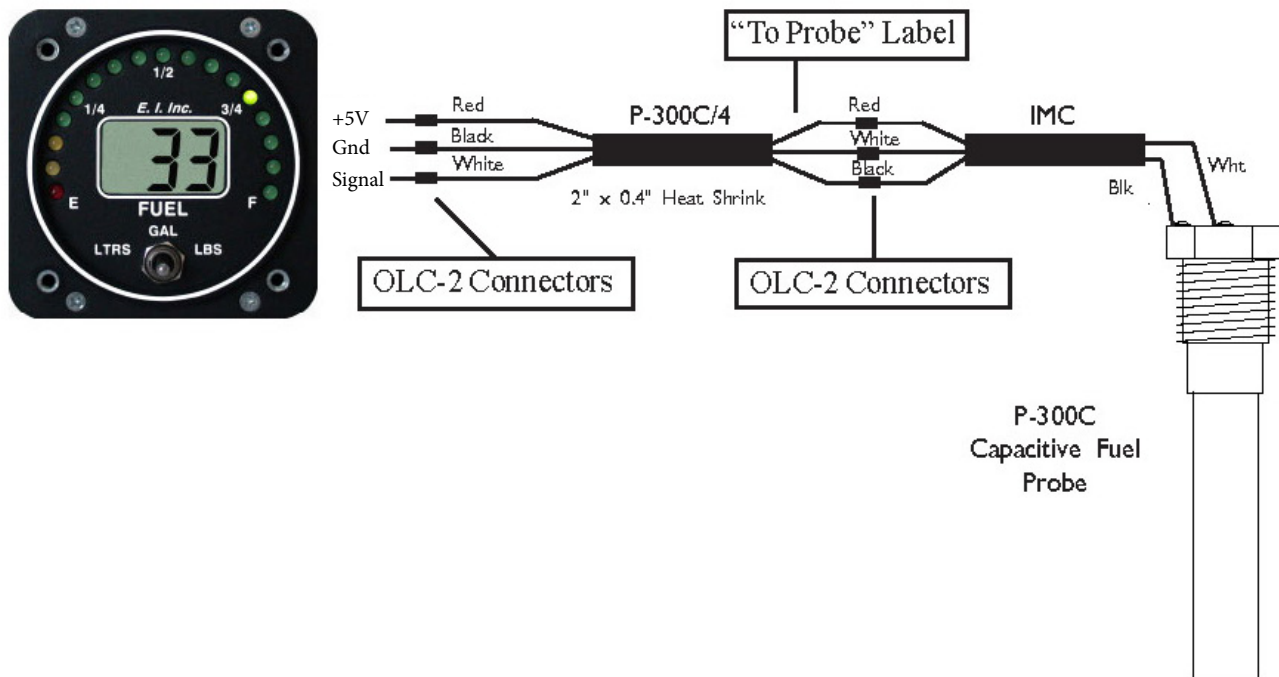


# P-300C Divide Module

## P-300C/4 Information Sheet

**Description:** The P-300C/4 module provides a means of lowering the output frequency of the IMC for short P-300C capacitive fuel probes. It is installed in line between the IMC and the instrument.

When installing the P-300C/4 module, note carefully the orientation of the module with respect to the probe: the wires with the “To Probe” label connect to the IMC. Match wire colors and connect to the IMC using the supplied OLC-2 Overlap Connectors. See Overlap Connector Instructions for details. Match wire colors on the instrument side and connect the P-300C/4 to the instrument harness.



### Notes:

1. Some P-300C probes come with the IMC built internally. These probes can be identified by the three wires exiting the probe.
2. Most P-300C Mini probes have the P-300C/4 module incorporated into the attached IMC.