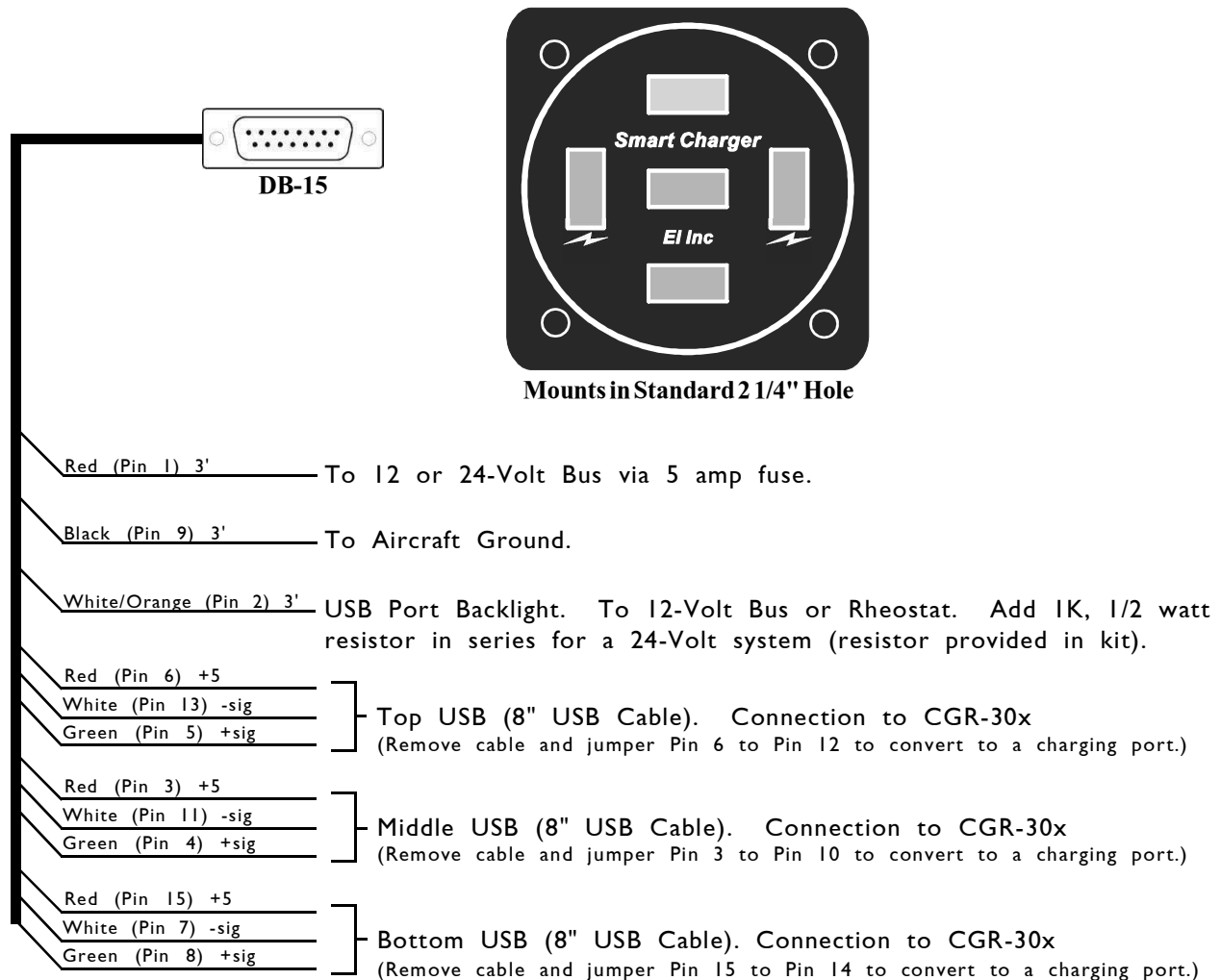


USB-6A Instrument Wiring Diagram

This USB Smart Charger provides two smart charging ports marked with lightning bolts. These ports incorporate a smart IC capable of charging any USB device at its highest charging current. The total charge current of the USB Smart Charger is 6 Amps.

In addition, the three USB ports down the middle of the bezel area can be connected up to three CGR-30 instruments. This allows data to be uploaded and downloaded from/to the CGR-30 units. If needed, any unused USB port can be converted to a standard charge port.

Also, provided in the kit is a USB Charging Analyzer. When placed in series with the charging cable, this device will display the charging voltage and current.



Specifications and Operating Features:

Model: USB-6A (USB Smart Charger)

Case Dimensions: 2.5" w x 2.5" h x 2.9" d

Weight: 6.3 Oz

Power Requirements: 7.5 to 35 Volts, 3 Amps

Max Charge Current: 6 Amps at 5V