

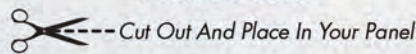


ELECTRONICS
INTERNATIONAL INC.

- FL-2 Dimensions -



- Actual Size -



Dimensions

2.5" x 2.5" x 3.65" Depth, 2.25" Bezel

Analog Display

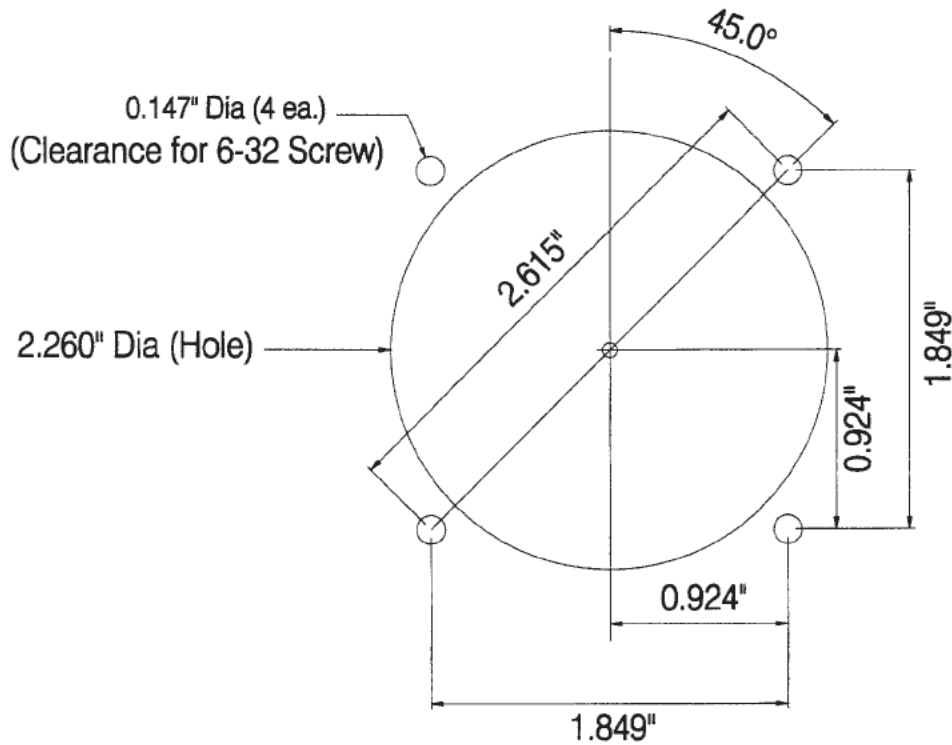
Two sets of 7 High Intensity Light Emitting Diodes (LEDs) in 90 degree arcs with Intensity Control Line available for dimming. Sequential flash test on power up.

Power Requirements

7.5 to 35 Volts, 1/10 Amp

For more information please visit www.buy-ei.com website
or call the 541-318-6060 number.

Template for laying out an Aircraft Panel



Instruments:

Case Size:

E-1, C-1, A-1, E-1P, T-1P, C-1P, E-2, C-2, EC-1, EC-2, CA-1, EAC-1,
E-4, E-6, C-4, C-6, VA-1A and VA-1A-xx

2.5" W x 2.5" H x 2.5" Depth

SC-5, ASC-5, FP-5, FP-5L, FL-2CA, FL-2RA-xx, R-1, M-1 and OPT-1

2.5" W x 2.5" H x 3.65" Depth

US-8A and SR-8A

2.5" W x 2.5" H x 5.35" Depth

Note: Use dimensions only, copy and fax machines alter image size.

Note: Recommend mounting instruments 2.655" center to center.

ELECTRONICS INTERNATIONAL INC.		
DATE: 8/30/01	DRAWN BY: R.R.	APPVD. BY: HH
SCALE: 1:1		REV: A: 8/12/02
TOLERANCE:		P/N:
MATERIAL:		D/N:
NEXT ASSEM:		0830011
TITLE: EC 2 1/4" Face Plate Template		